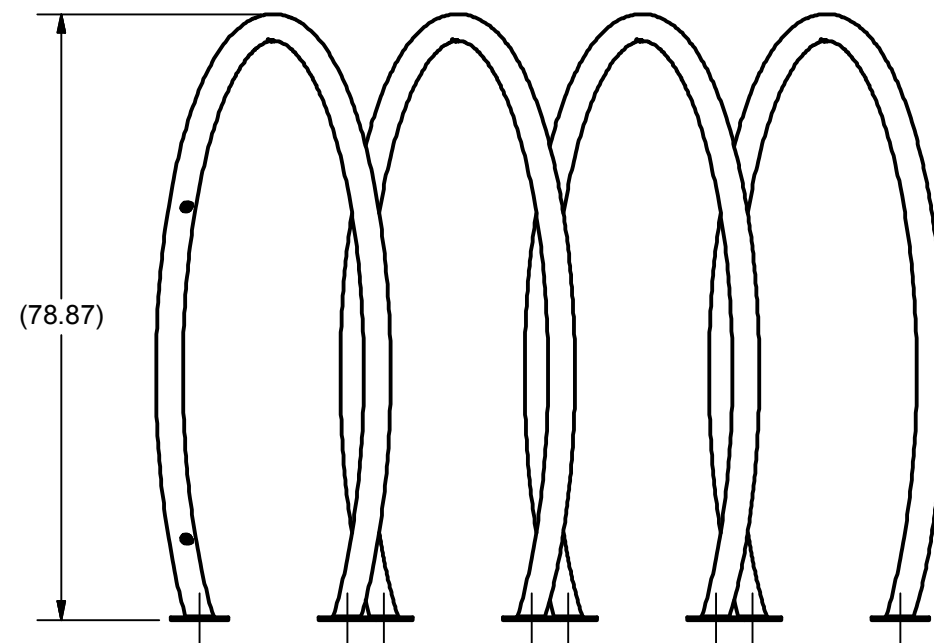
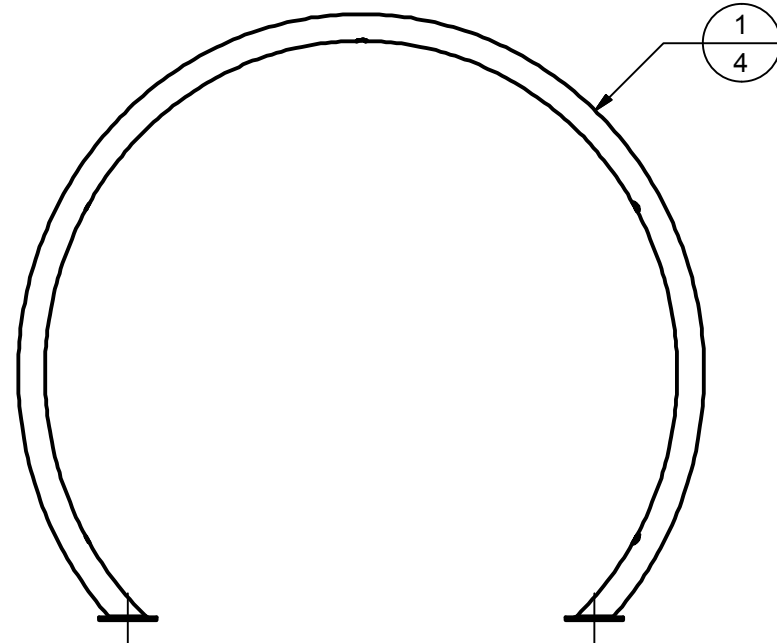
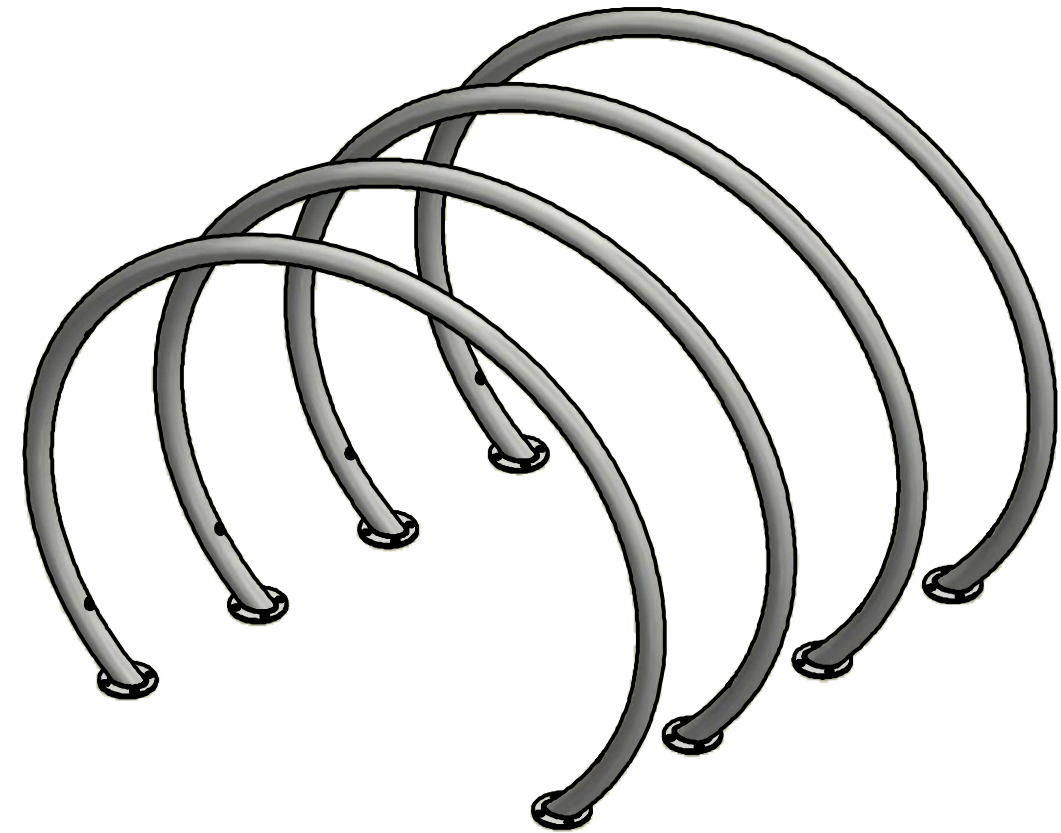
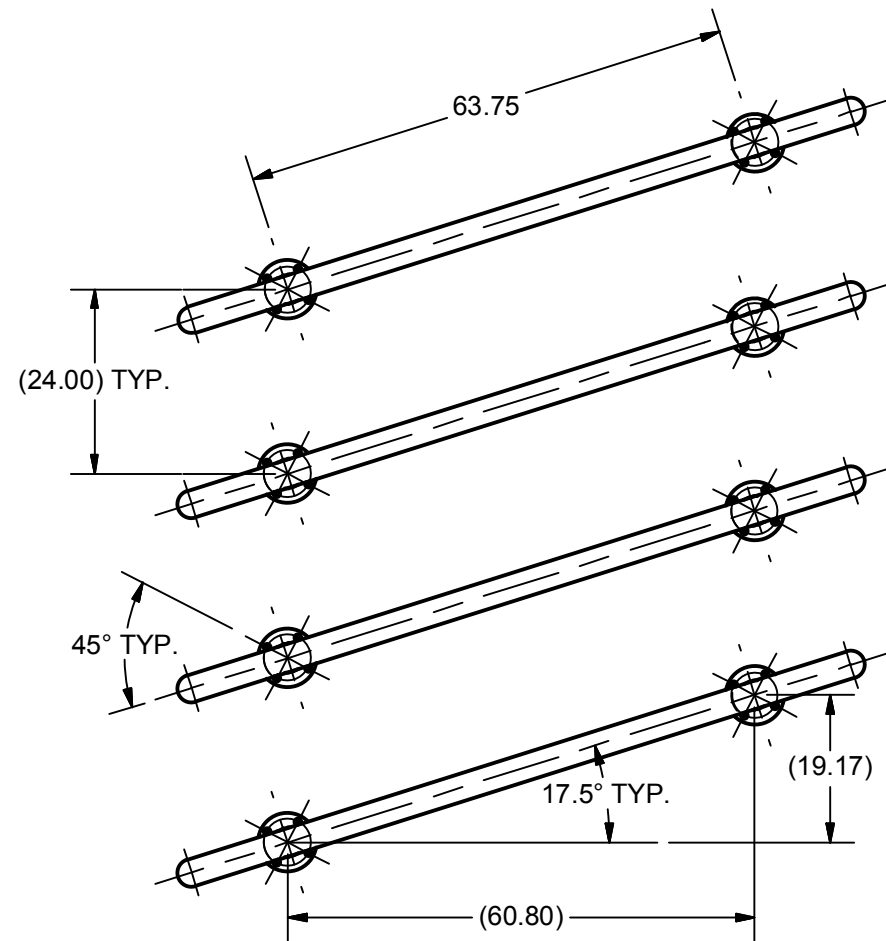



ITEM	PART ID	DESCRIPTION	MATERIAL	QTY
1	0010-0369	WATER-O ASSY		4

REV	DESCRIPTION	DATE
A	INITIAL RELEASE	2/29/2016



MASS: <b>347.6 lbmass</b>	<b>TOLERANCES UNLESS NOTED</b> .X ±0.5 .XX (>10) ±0.05 .XX (<10) ±0.01 .XXX ±0.005 ANGULAR ±1° SURFACE FINISH 63μ in. <b>ALL DIMENSIONS IN INCHES</b>	DESIGNED: NICMAY	<b>SPIRAL TUNNEL ASSY</b>			
		DRAWN: NICMAY				
ALL PLANS AND DESIGNS AT ALL TIMES REMAIN THE PROPERTY OF THE WMI MANUFACTURING CORPORATION AND CANNOT BE USED OR REPRODUCED WITHOUT WRITTEN PERMISSION.  805 CROWLEY AVE. KELOWNA, BRITISH COLUMBIA CANADA, V1Y 7G6 P: 250-979-7205 F: 250-979-7215	THIRD ANGLE PROJECTION	CHECKED: JASMAY	<b>SPIRAL TUNNEL</b>			
		DATE: 2/29/2016				
		DWG ID: <b>0010-0377</b>	REV: <b>A</b>	SIZE: <b>B</b>	SCALE: <b>NTS</b>	SHEET: 1
						OF: 1