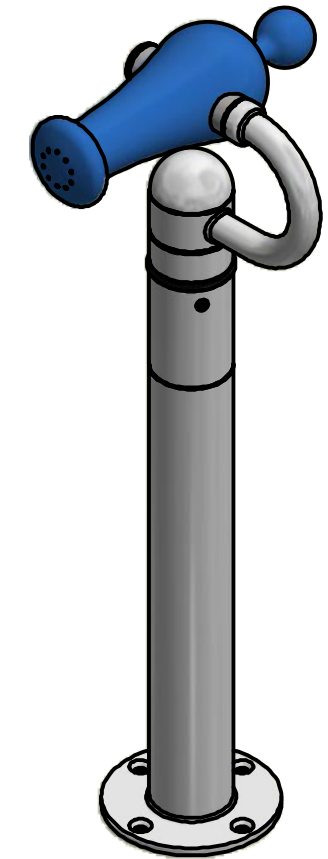
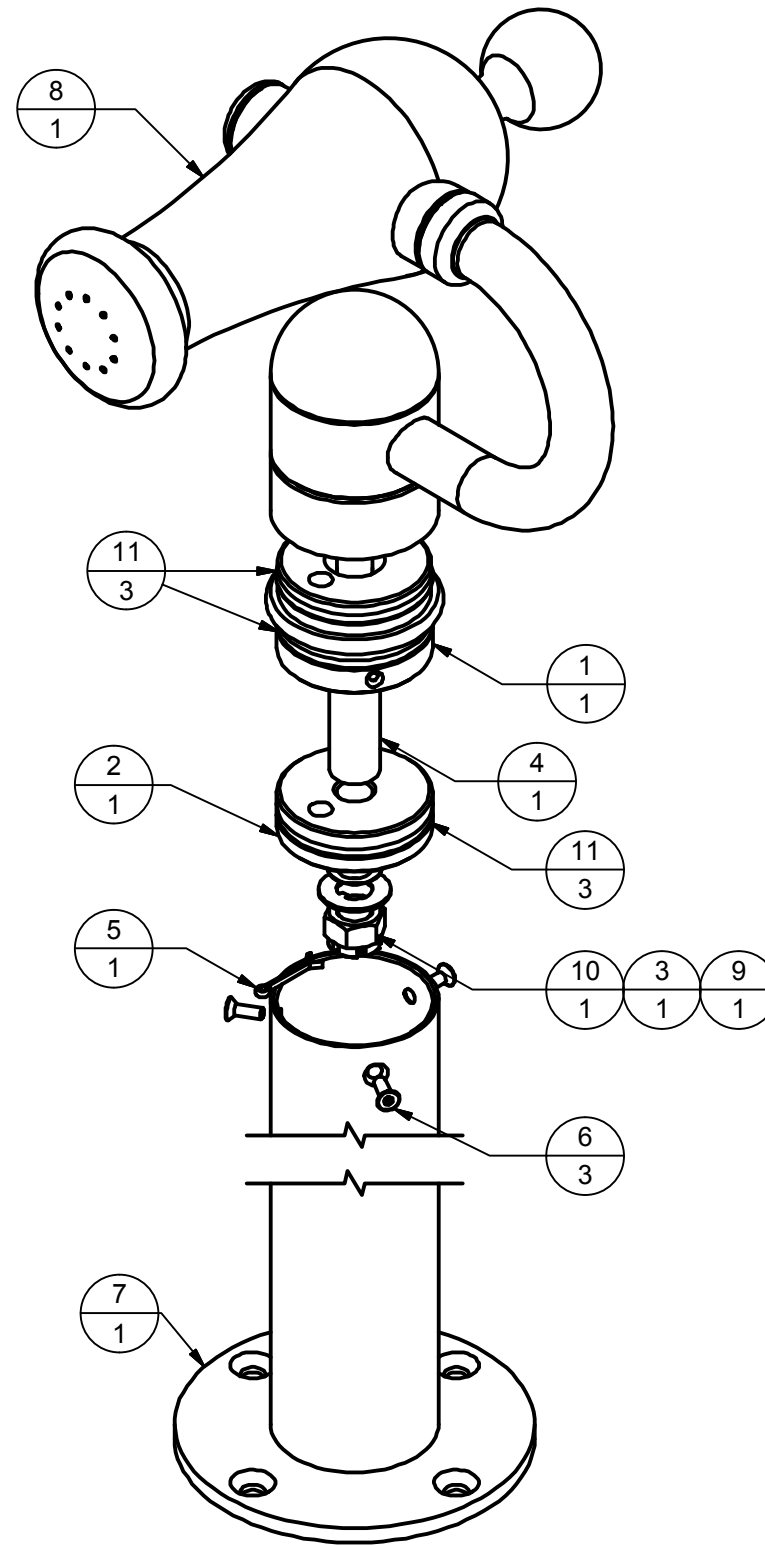
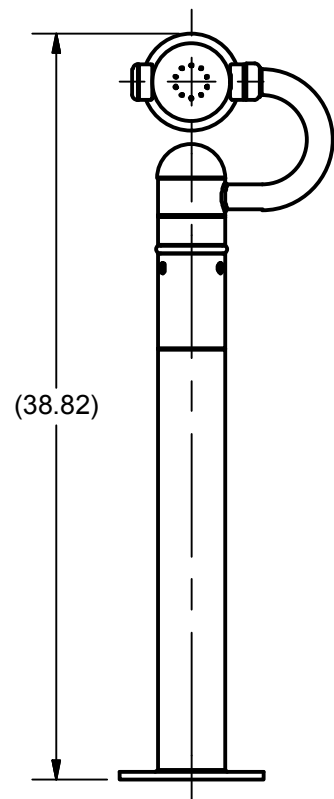
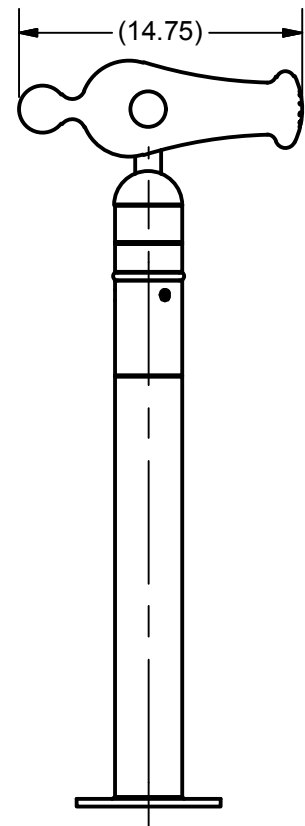
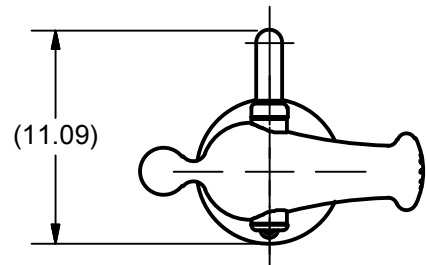


ITEM	PART ID	DESCRIPTION	MATERIAL	QTY
1	0010-0267	UPPER REDUCER	ACETAL	1
2	0010-0268	LOWER REDUCER	ACETAL	1
3	0010-0274	INDEXING WASHER	SST	1
4	0010-0275	REDUCER SPACER	PVC	1
5	0010-0292	COTTER PIN, 5/32 X 1.50 LG	AISI 304	1
6	0010-0293	BOLT, FLAT HD SOC, 1/4-20 X 0.75 LG, FT	SST	3
7	0010-0404	CANNON COLUMN WELD ASSY	WELDED SST	1
8	0010-0429	CARRONADE HEAD ASSY		1
9	0010-0469	WASHER, SHIM, 3/4 (1.13 OD)	PVC	1
10	NUT-02100	NUT, CASTLE, 3/4-16	SST	1
11	ORG-08336	O-RING -336, 2.850 ID X 0.210 CS	RUBBER	3

REV	DESCRIPTION	DATE
A	INITIAL RELEASE	2/24/2016



MASS: 29.7 lbmass ALL PLANS AND DESIGNS AT ALL TIMES REMAIN THE PROPERTY OF THE WMI MANUFACTURING CORPORATION AND CANNOT BE USED OR REPRODUCED WITHOUT WRITTEN PERMISSION.	TOLERANCES UNLESS NOTED .X ±0.5 .XX (>10) ±0.05 .XX (<10) ±0.01 .XXX ±0.005 ANGULAR ±1° SURFACE FINISH 63µ in. ALL DIMENSIONS IN INCHES	DESIGNED: NICMAY	CARRONADE ASSY		
		DRAWN: NICMAY			
805 CROWLEY AVE. KELOWNA, BRITISH COLUMBIA CANADA, V1Y 7G6 P: 250-979-7205 F: 250-979-7215	THIRD ANGLE PROJECTION	CHECKED: JASMAY	CARRONADE		
		DATE: 2/24/2016	DWG ID: 0010-0428	REV: A	SIZE: B